

## Section 6.1.2: Analogue Addressable – Detectors



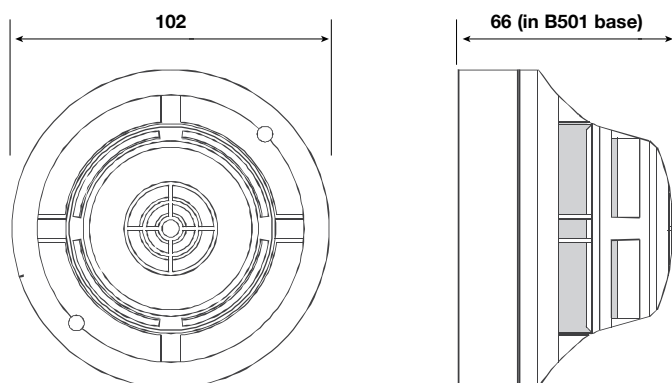
COPTIR

### TECHNICAL SPECIFICATION

Type	
Operating Voltage Range	15 to 32V dc
Maximum Standby Current	200µA at 24V dc (no communications)
Maximum Alarm Current	7mA at 24V dc
Operating Temperature Range	-20°C to +55°C
Relative Humidity	15 to 90% (non-condensing)
Max Wire Gauge for Terminals	2.5mm <sup>2</sup>
Weight	176g (inc base)
Colour	Ivory
Material	Bayblend FR110
IR Limits	0-450 uW/cm <sup>2</sup>
CO Limits	0-500 PPM
Relevant Standards	EN 54 Parts 5 & 7, LPS1279
Approvals	LPCB

- Unique, true four sensor multi-criteria detector
- Fully integrated Infra Red Sensing to support the fire alarm decision
- CO gas sensing for fastest response to slow developing and smouldering fires
- Highest immunity to unwanted alarms
- Available in TC800 protocol
- Automatic drift compensation of smoke sensor and CO cell
- Twin LED indicators providing 360° visibility
- Wide temperature range
- Built-in test switch
- Stable communication with high noise immunity
- Compatible with TC800 Loop powered sounder beacons to provide one location for multi-criteria detection and alarm indication

### Dimensions (mm)



### ORDER CODES

#### TC800 Protocol only

**COPTIR Multi-criteria sensor (IR, CO, Optical and Heat)** TC850E1009

**Standard Sensor Base** 14506414-007

**Standard Sensor Base with Built-in Isolator** 14506414-006

*Compatible with XLS80e only.*